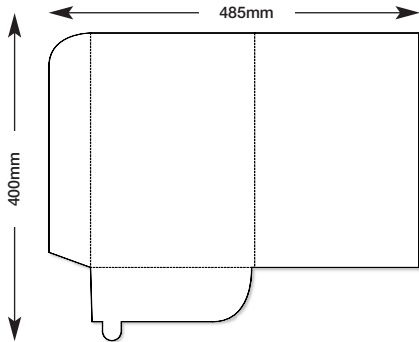


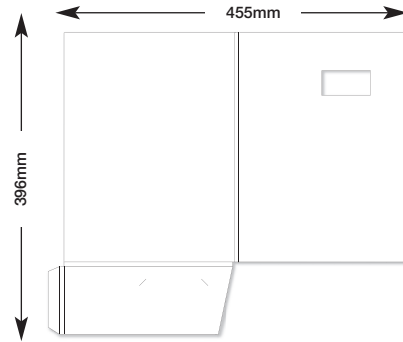
Sample Folder Templates

Using our SRA2 Sakurai 5 colour press, we can produce folders based on your own design or utilising our standard templates. Folders can be finished with lamination and spot varnish as required. We can create a new design based on a combination of the templates shown below to a maximum artwork size of 640mm x 440mm. These are just a few of our folders we are able to produce. We are also able to print, cut out and assemble individual personalised designs within the press parameters. Please call for more information.

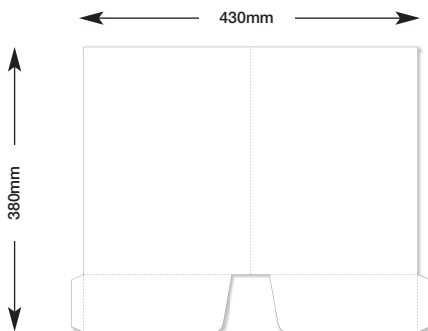
MM1 - Oversize A4, non capacity with self locking tab.



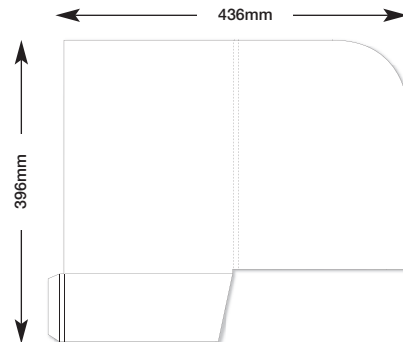
MM2 - 6mm capacity with die cut window on the cover and business card slots on the glued pocket.



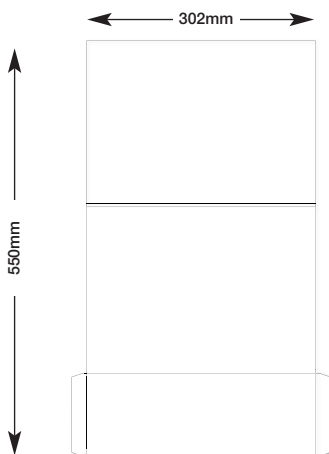
MM3 - Oversize A4, non-capacity with glued pockets on both sides.



MM4 - 6mm capacity with die cut curved cover and glued pocket.



MM5 - Landscape format, oversize A4, 5mm capacity with glued pocket.



MM6 - Oversize A4, non capacity with glued pocket.

